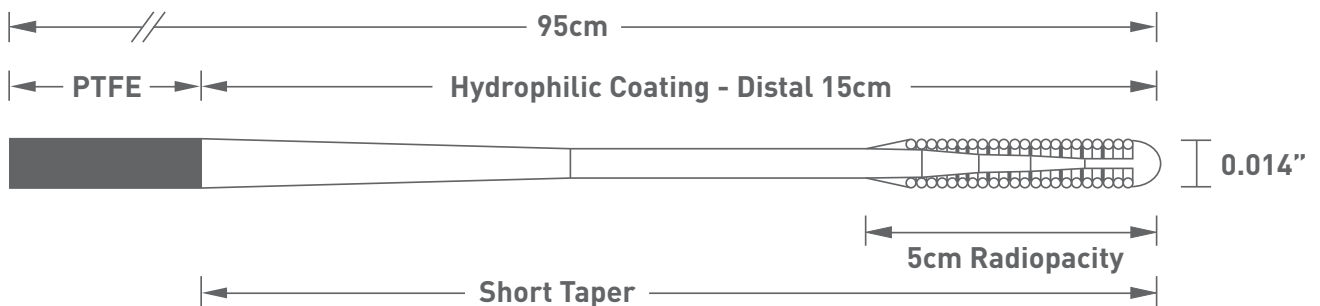


ENROUTE®

0.014" GUIDEWIRE

- 95cm ergonomic control
- Precise lesion navigation
- Device delivery in short vessels

This wire was designed for navigating tortuous short vessel segments with its unique combination of short length, short taper, and a shapeable tip.



ENROUTE 0.014" Guidewire	
Catalog Number	Shipped
SR-014-GW	5/box

Indications for Use: The ENROUTE 0.014" Guidewires are intended for use in the peripheral vasculature.

CAUTION: Federal (USA) law restricts this device to sale by or on order of a physician.

Manufactured by Lake Region Medical for Silk Road Medical distribution

